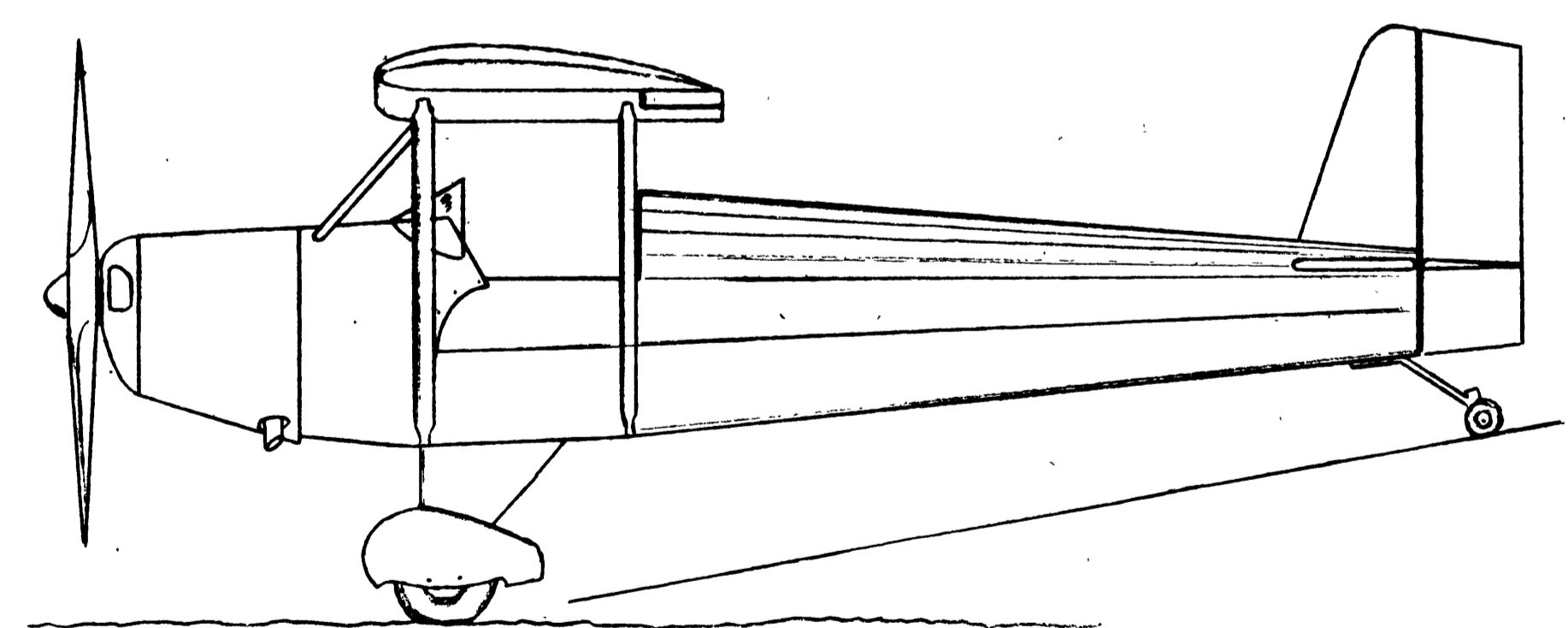
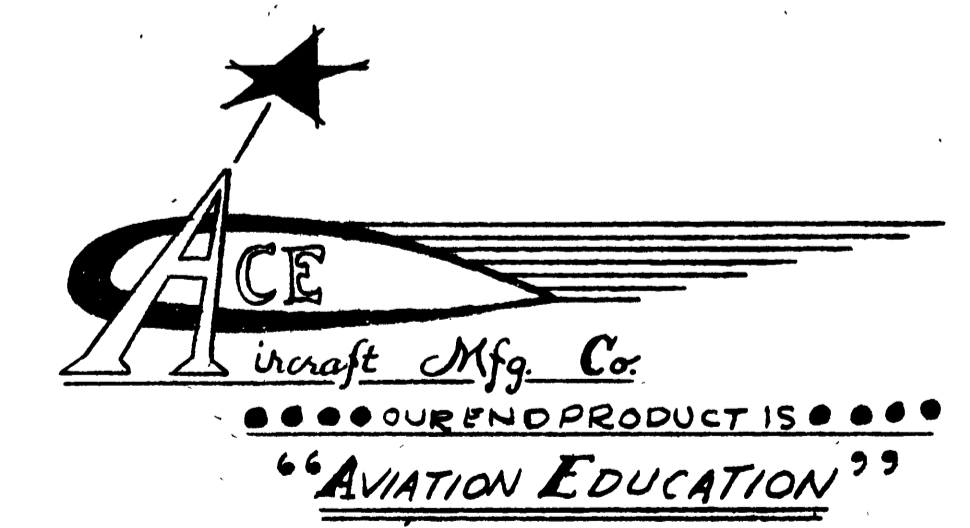


J-3 ENGINE COWL



SPECIFICATIONS	
SPAN	26 FT. 5 IN.
LENGTH	17 FT. 8 3/4 IN.
HEIGHT	6 FT. 7 1/4 IN.
FUEL CAPACITY	16.8 GALS.
EMPTY WEIGHT	645
AIRFOIL (MODIFIED)	CLARK Y
CRUISING SPEED	85 TO 90
STALLING SPEED	45
TAKE-OFF AT 1000 FT. ABOVE SEA LEVEL	400'
THE ABOVE SPECIFICATIONS WITH 65 H.P. CONTINENTAL ENGINE	
NOTE: - THIS AIRCRAFT IS DESIGNED TO USE ENGINES FROM 65 TO 85 H.P.	



THREE VIEW DRAWING		
NAME: JUNIOR ACE	MODEL "E"	
DR. A. D. HARMON	CK. D. T. G. BAIRD	SC: - 1/2" = 1'-0"
APP. T. G. BAIRD	ENGT. G. BAIRD	DATE 3-23-68
ACE AIRCRAFT MFG. CO.		779-2 Pub. No.